







UTTERMOST

ASSEMBLY INSTRUCTIONS

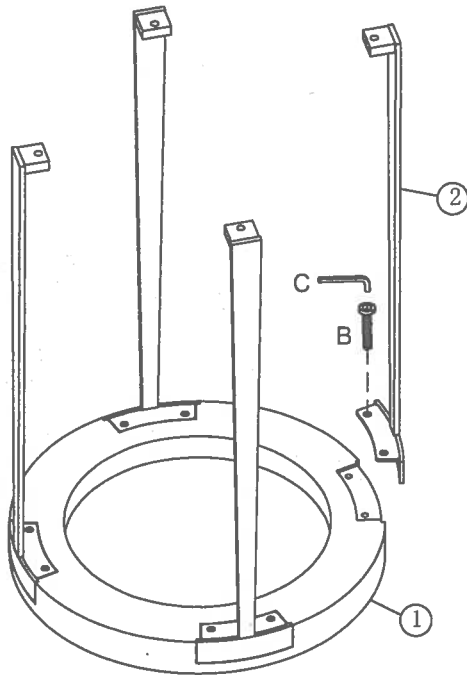
ITEM: 50003

PARTS LIST

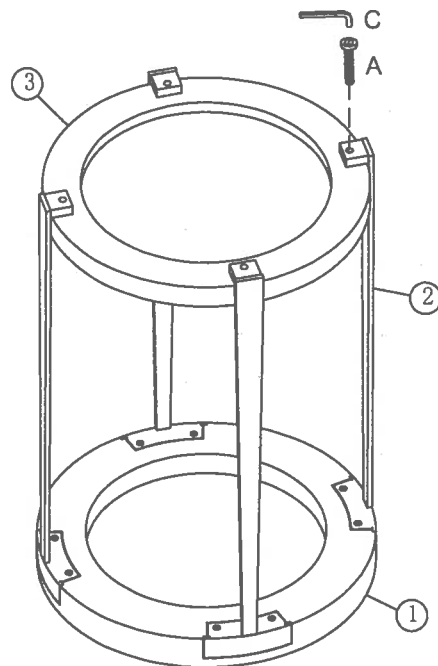
NO	DRAWING	PARTS NAME	Q'TY	NO	PARTS NAME	DRAWING	Q'TY
A		BOLTS DIA 1/4"*1"	4PCS	1	TABLE TOP		1PC
B		BOLTS DIA 1/4"*3/4"	8PCS	2	LEG		4PCS
C		ALLEN WRENCH 1/4"	1PC	3	BOTTOM PANEL		1PC

ASSEMBLY BOLTS MAY NEED TIGHTEND AFTER USE

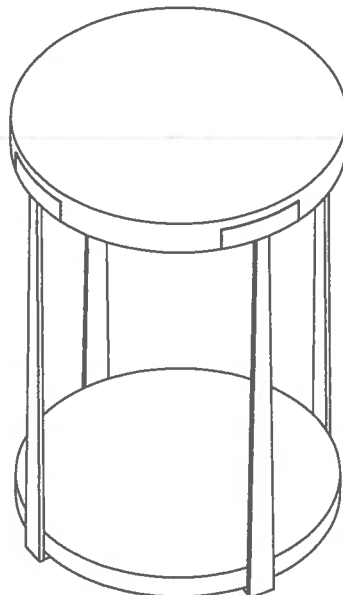
STEP 1



STEP 2



STEP 3



re-tighten the leg bolts after using a period of time